

# LEONE NEW PRODUCTS

## A0625-07

### MINI FAN-TYPE EXPANDER *(patented)*

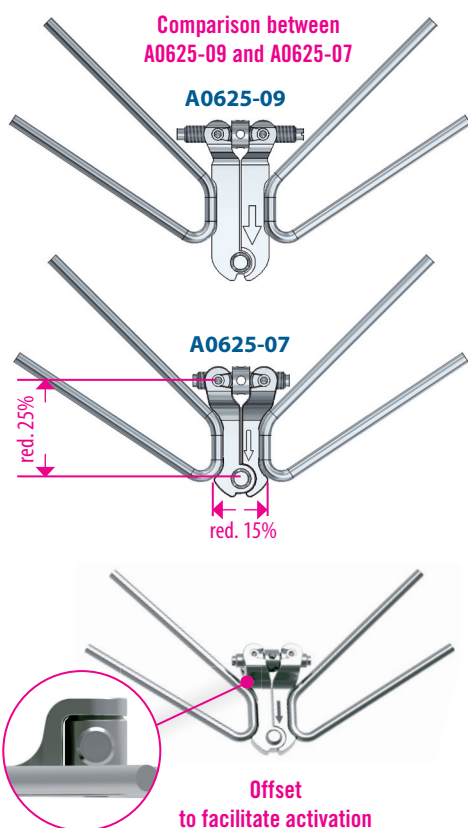
Conceived with the cooperation of Dr. Eleonora Schellino and Prof. Remo Modica

The Mini fan-type A0625-07 expander is the reduced version of the already existing A0625-09, while retaining the main features as the geometry of the bodies, the shape, the laser welding of the arms, the end-stop at the rear joint and the non-threaded ends of the male screw; the overall size and the maximum expansion limit are 20%-25% lower than those of the 9 mm version.

The difference between the two models is the geometric shape of the front part: the new 7 mm version is designed to be able to place the screw as high as possible in the palate trying to determine the minimum encumbrance.



Courtesy of Prof. Paola Cozza - Dipartimento di Ortodonzia, Univeristà Tor Vergata, Roma



Made entirely of biomedical stainless steel. The expanding arms are laser welded to the screw body. Laser engraved directional arrows on the **MIM**® body. It is a device for the rapid expansion of the palate that allows you to get a widening of the single anterior sector of the maxillary arch, still maintaining the expansion at the molar level. It self deactivates when maximum expansion capacity has been achieved preventing from overtreatment. Supplied with a **swivel key with handle** to facilitate the endoral activation.

Available the self-locking instrument for modeling of the expander's arms P0625-07. Packs of 1



	↔	↻	activation turns for maximum expansion limit
7 mm		0,9 mm	31